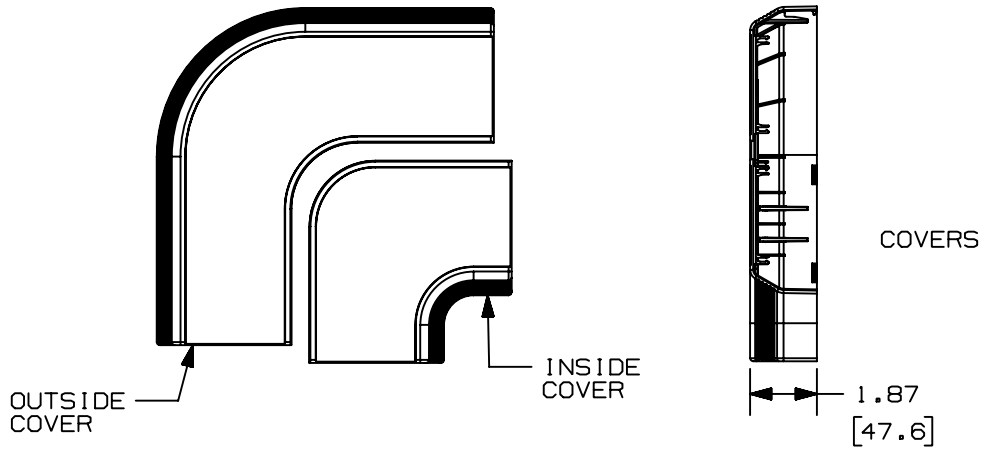


THIS COPY IS PROVIDED ON A RESTRICTED BASIS AND IS NOT TO BE USED IN ANY WAY DETRIMENTAL TO THE INTERESTS OF PANDUIT CORP.



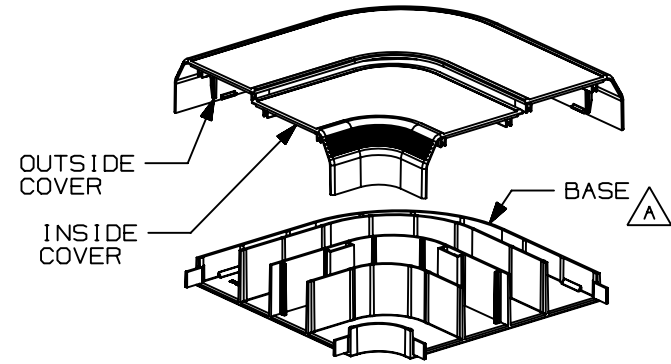
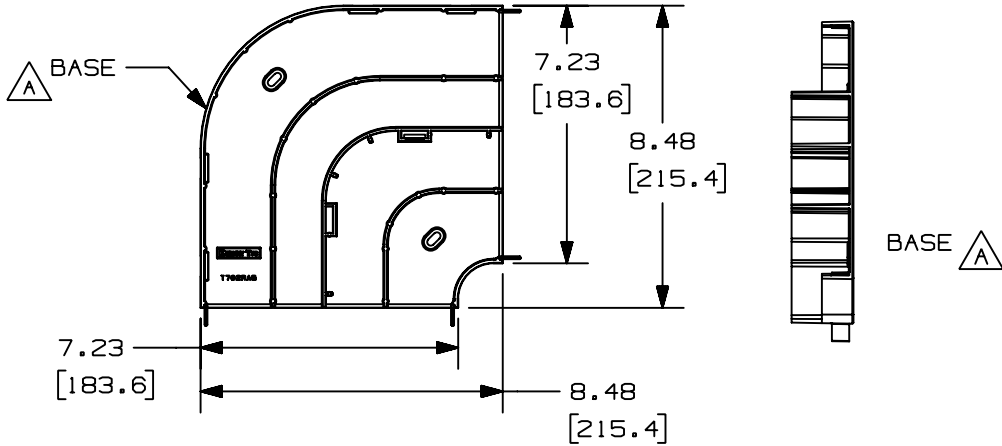
PANDUIT P/N	WEIGHT
T702RA	12.9 LB/10 PCS (5878 g/10 PCS)

△B

△C

NOTES:

1. SEE CURRENT CATALOG FOR ADDITIONAL PART SUFFIXES TO INDICATE COLOR AND OR PACKAGE QUANTITY.
2. THIS PART IS INTENDED TO BE USED WITH PANDUIT TWIN-70 RACEWAY.
3. DIMENSIONS IN PARENTHESES ARE IN METRIC.



CAD FILENAME/LAYERS D34866DL_DC_T702RAF_03

PANDUIT CORP. TINLEY PARK, ILLINOIS

△B △D TWIN-70 RIGHT ANGLE (T702RA) CUSTOMER DRAWING

UNLESS OTHERWISE SPECIFIED, DIMENSIONAL TOLERANCES ARE:
(.X) ± (.XXX) ±
(.XX) ±.03(.8) ANGLES ±

UNLESS OTHERWISE SPECIFIED, ALL DIMENSIONS ARE GIVEN IN INCHES, THIRD ANGLE PROJECTION.

DRAWN BY DW	MAT'L: △C PVC	SCALE NONE	DWG A
DATE 2-3-98		DRAWING NO. 34866-65	SIZE A
CHECKED BY HIW			

REV	DATE	BY	CHK	DESCRIPTION	ECN	CHK	CUST	SUP
3	07-26-99	DW	HIW	D. REVISED TITLE. C. MAT'L WAS ABS/PC AND REV'D WEIGHT.	34866-65	HIW	HIW	
2	03-04-98	DW	HIW	B. CORRECTED PART NUMBER WAS T702RAF.	34866-65	HIW	HIW	
1	02-12-98	DW	HIW	A. CORRECTED SIZE OF BASE.	34866-65	HIW	HIW	
R	02-03-98	DW	HIW	RELEASED TO PRODUCTION.	34866-65	HIW	HIW	